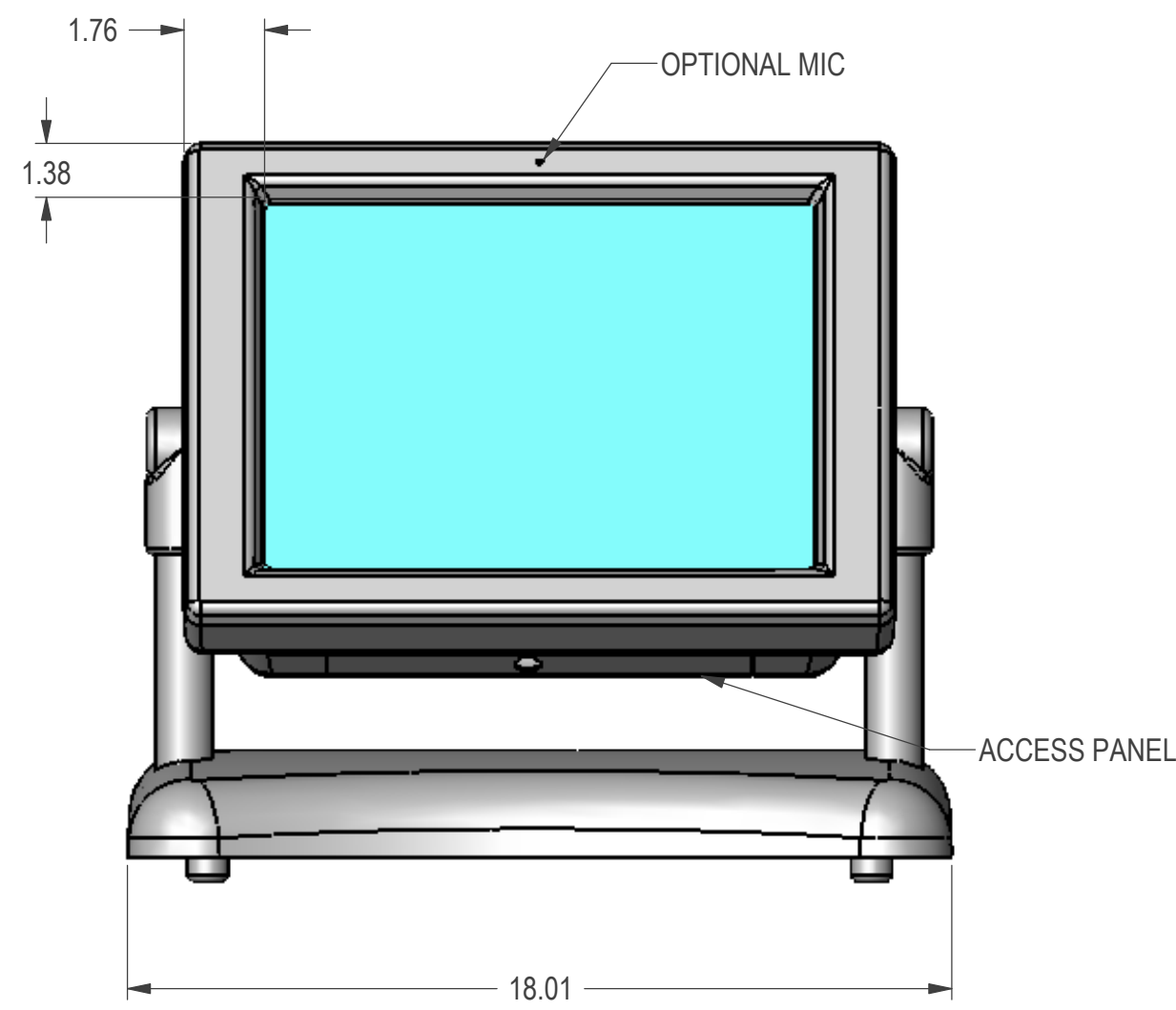
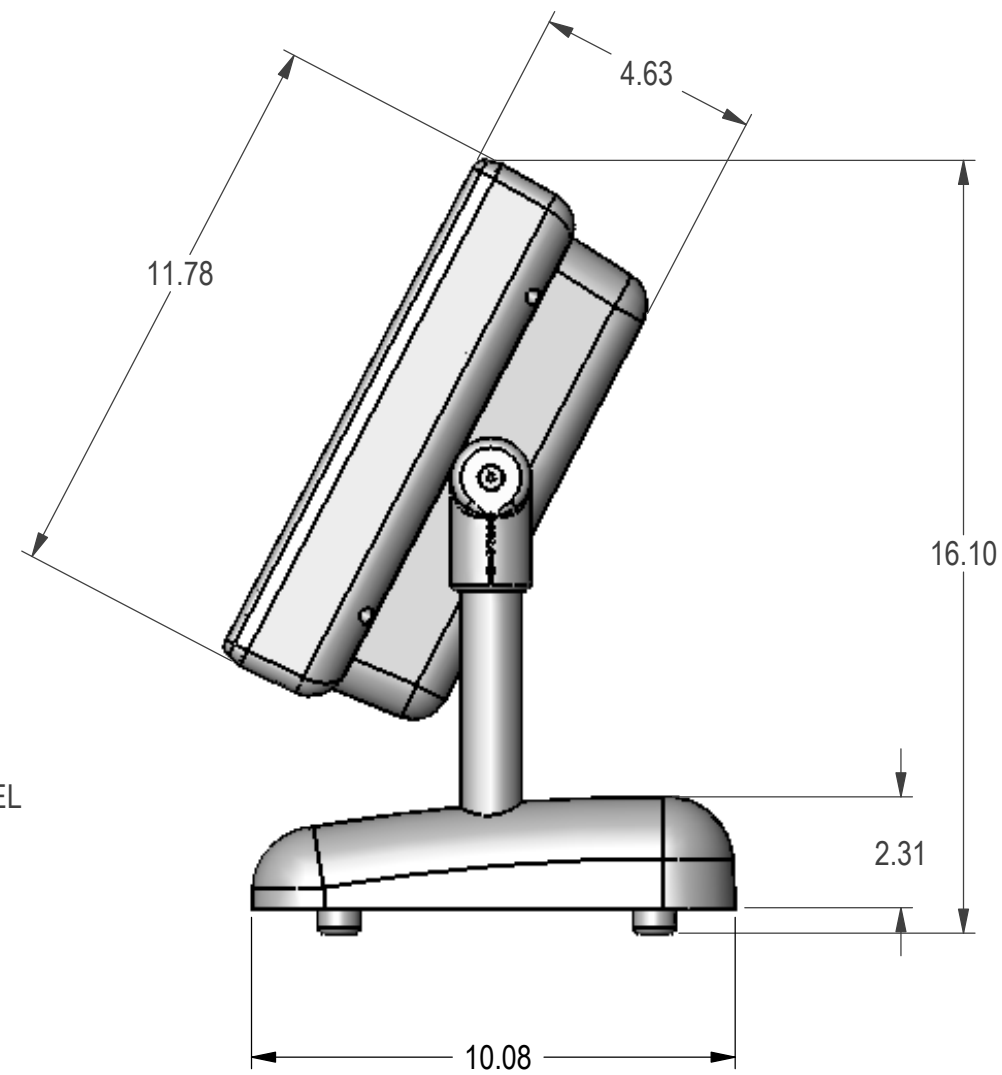


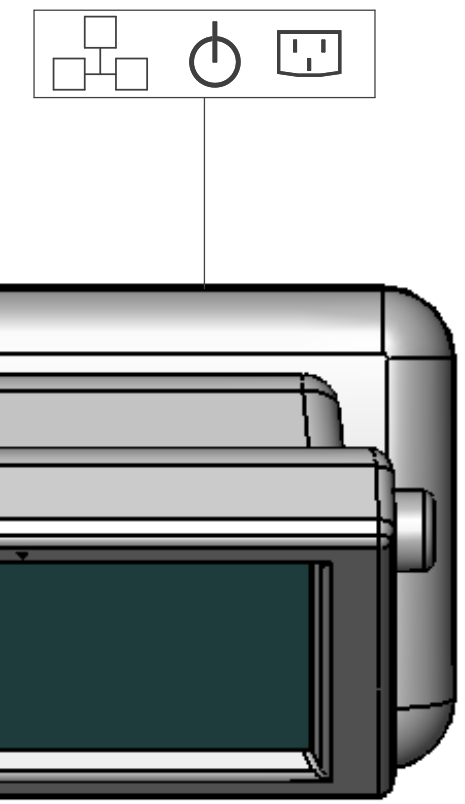
**15"  
CounterPoint**



**FRONT**

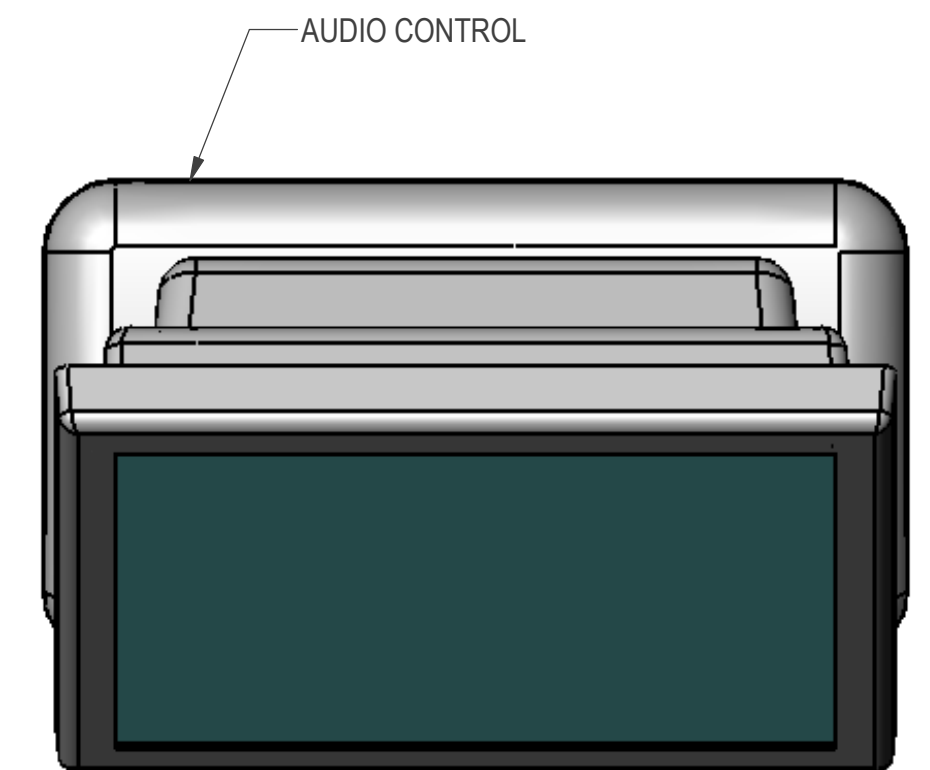
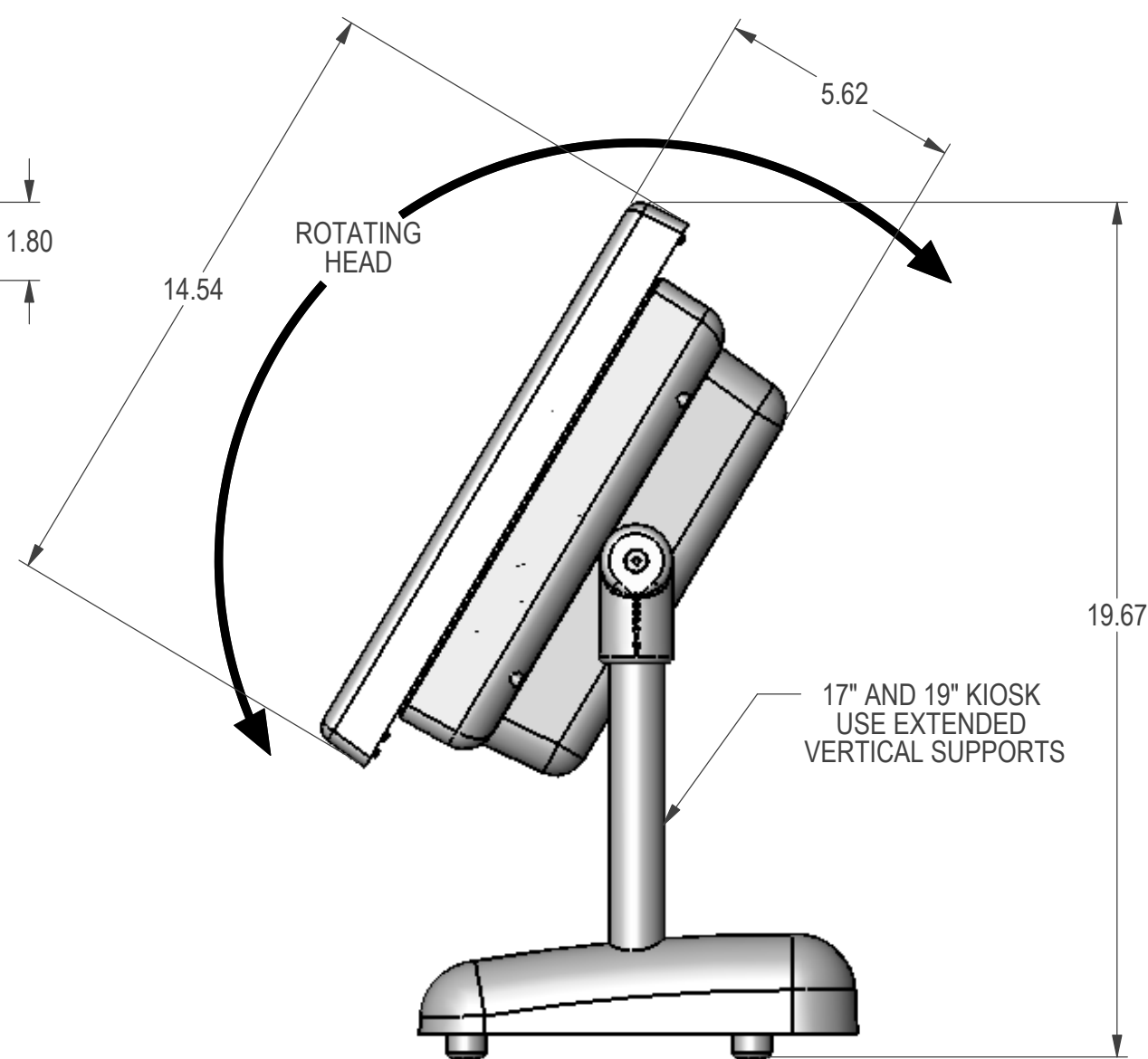
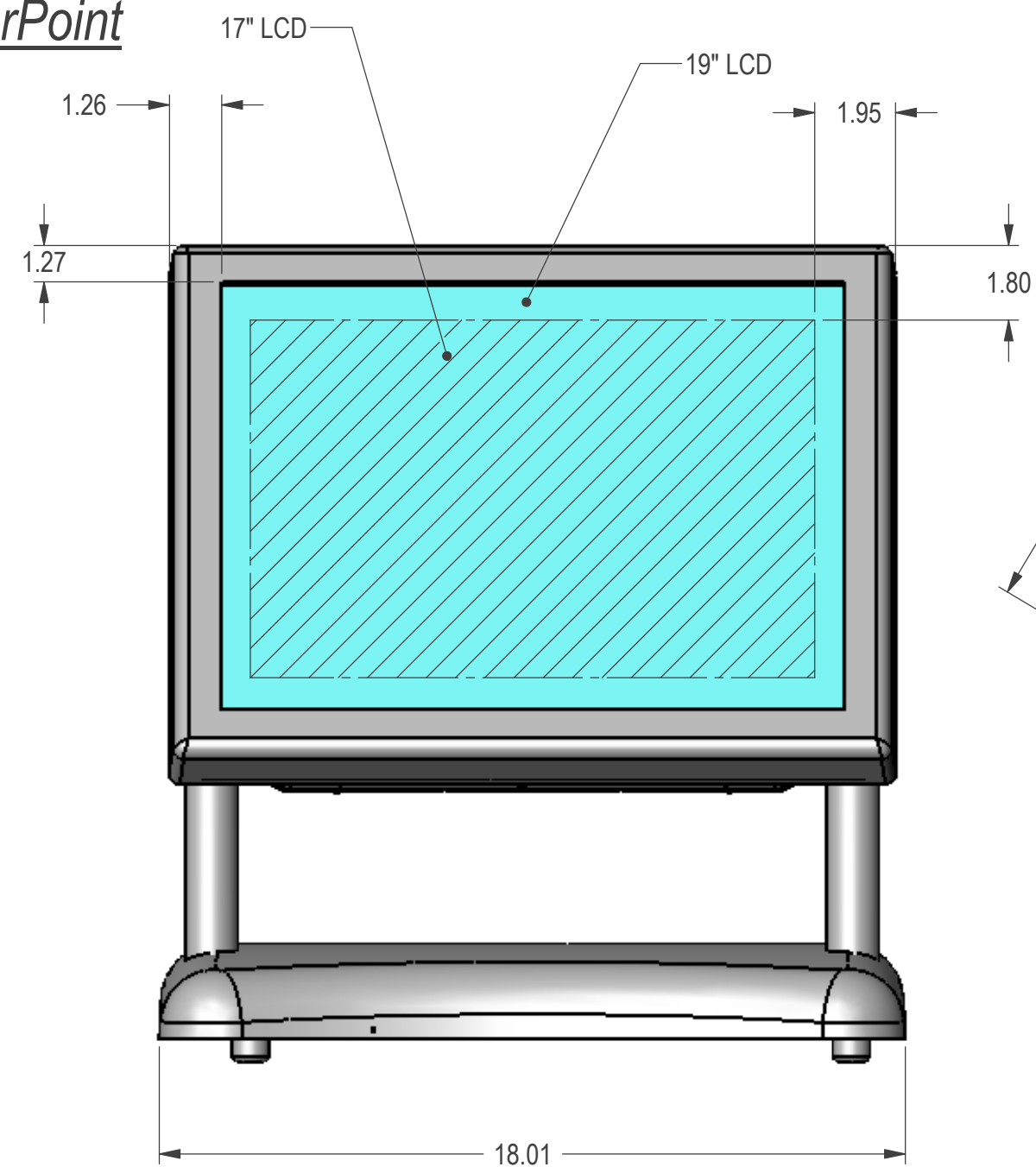


**SIDE**



**TOP**

**17"/19"  
CounterPoint**



**SeePoint™**  
Interactive Kiosk Systems  
SeePoint.com 888-587-1777

TITLE <b>CounterPoint</b>			
SIZE C	PART NO.	DWG NO. SP061203-01	REV N/C
DO NOT SCALE/PRINT REDUCED			SCALE 1=4