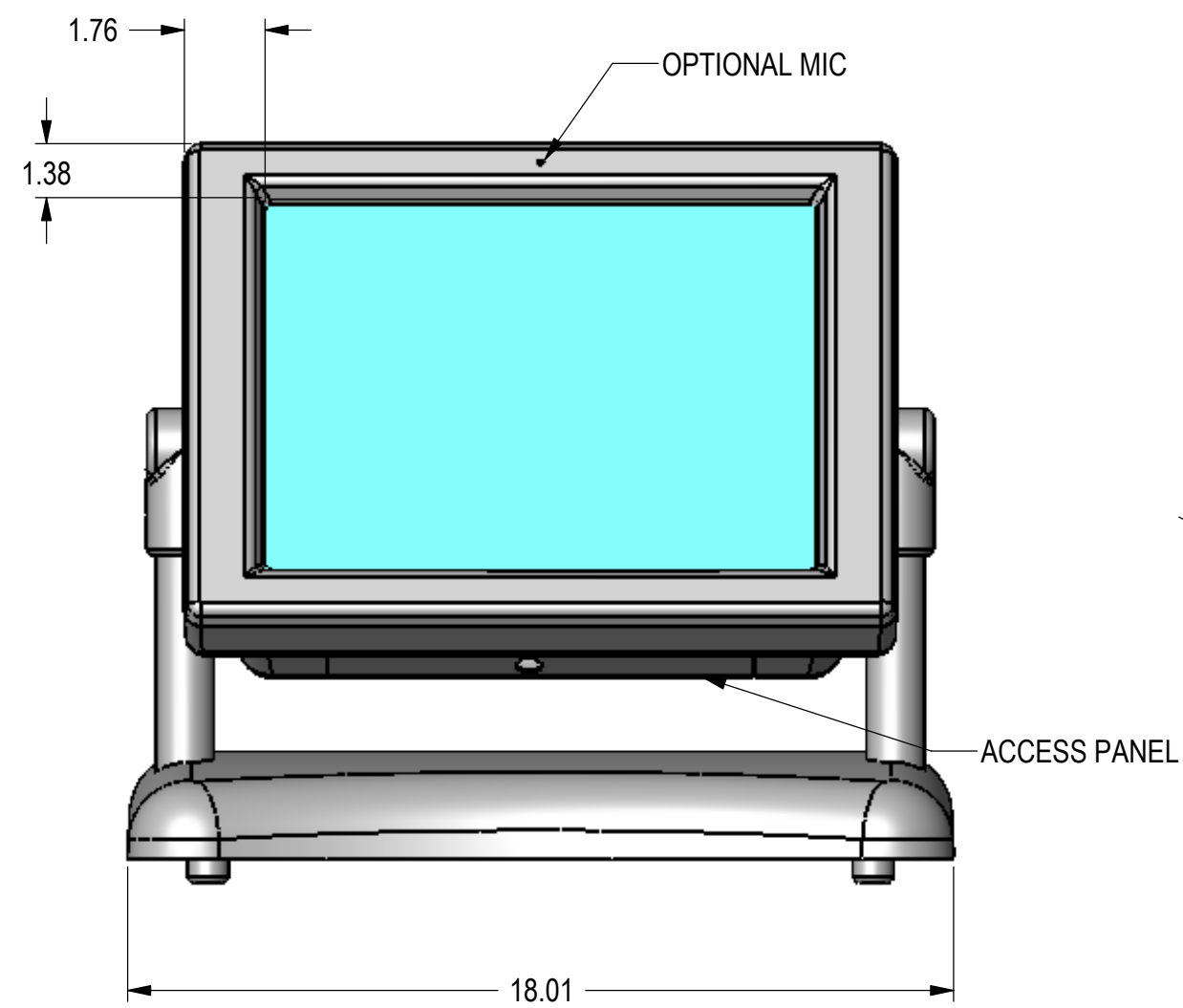
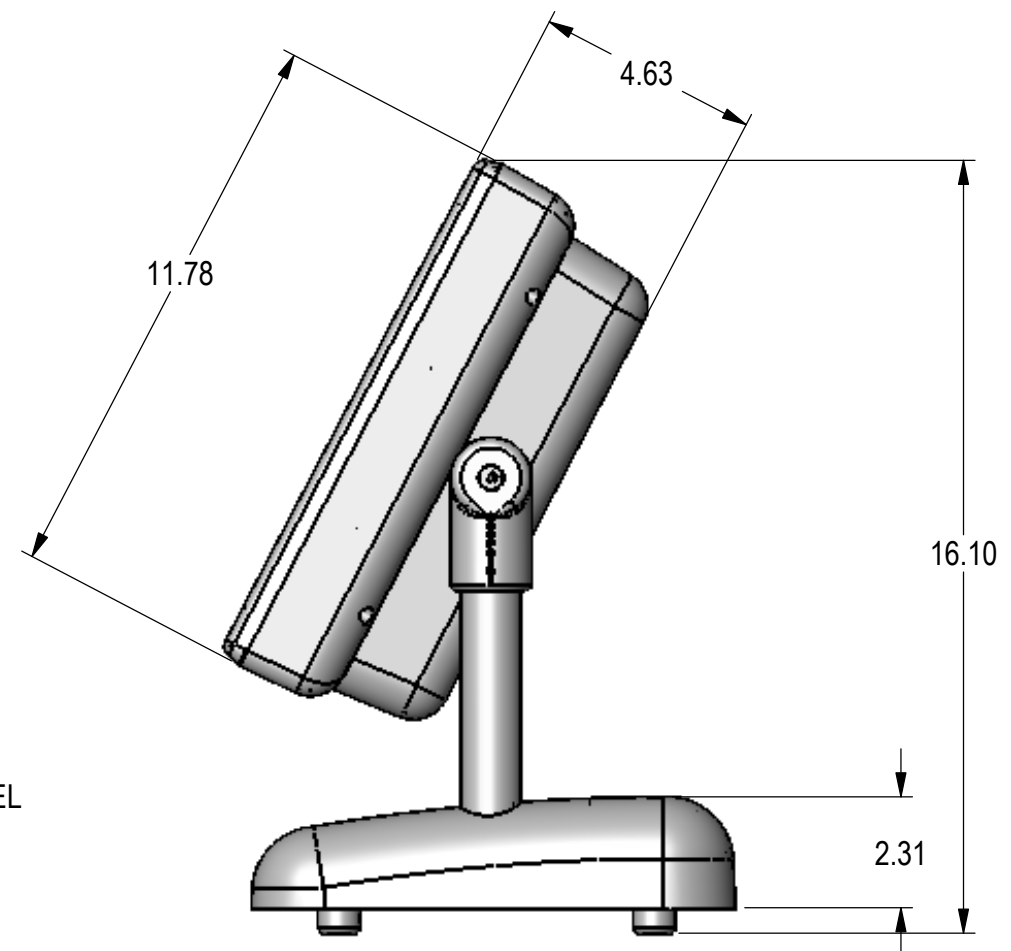


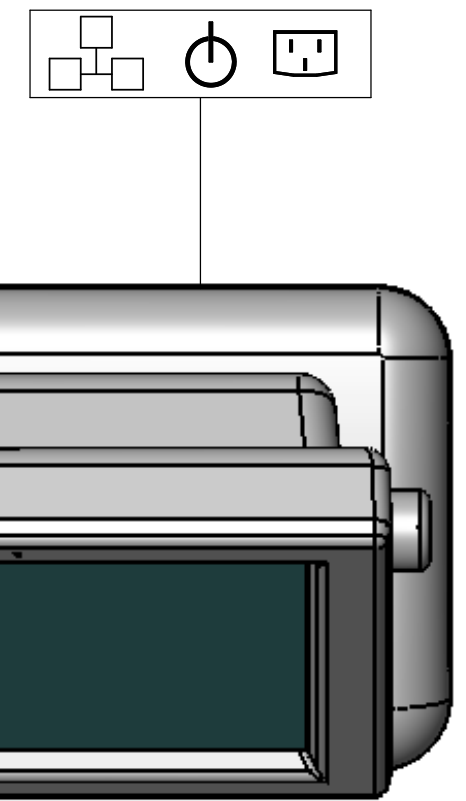
**15"
CounterPoint**



FRONT

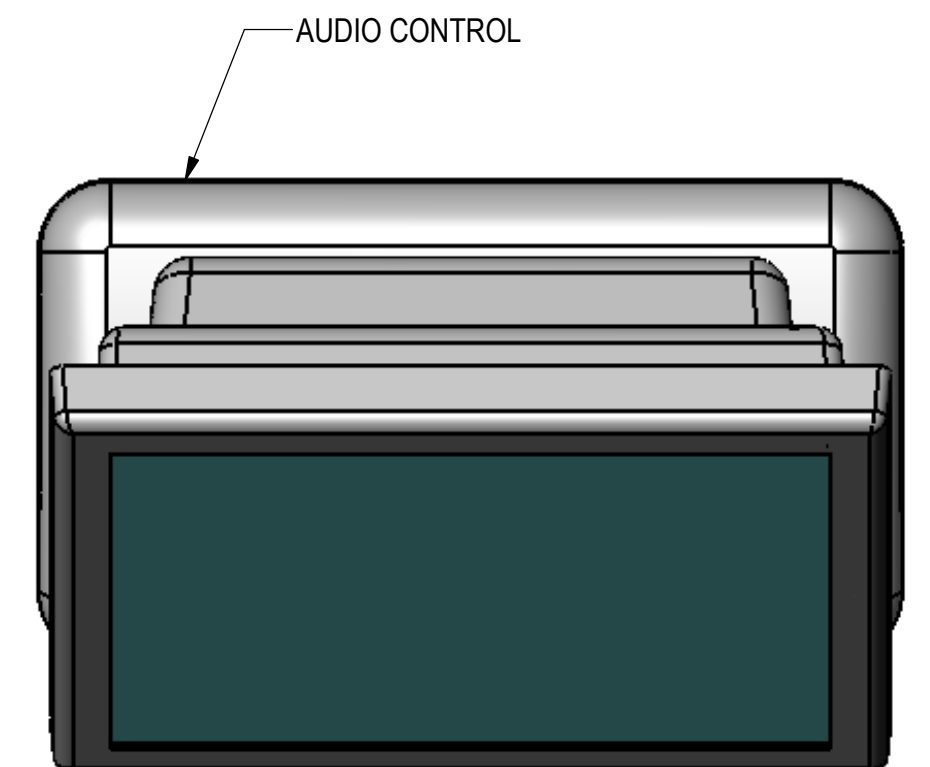
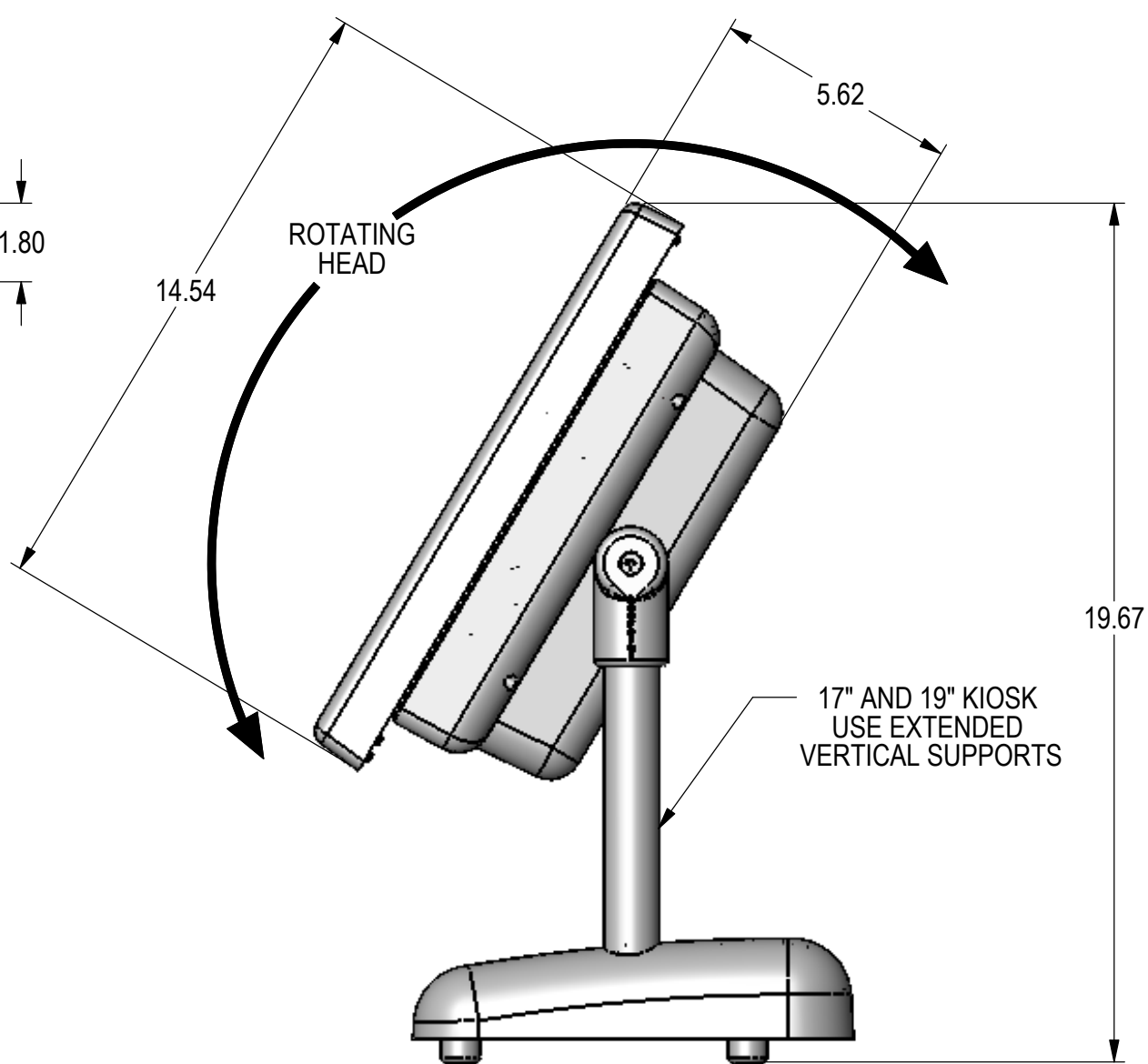
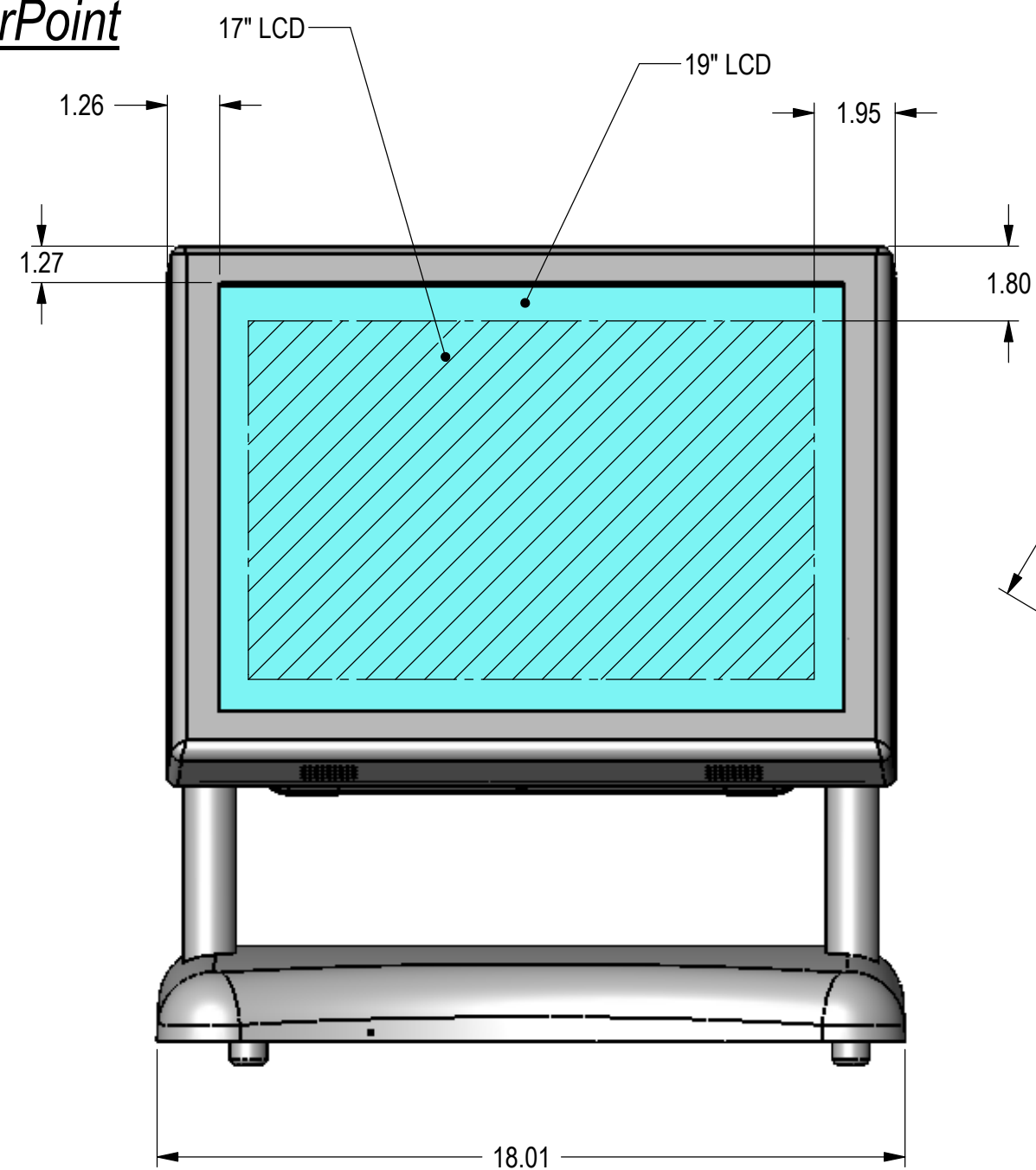


SIDE



TOP

**17"/19"
CounterPoint**



SeePoint™ Interactive Kiosk Systems SeePoint.com 888-587-1777			
TITLE CounterPoint			
SIZE C	PART NO.	DWG NO. SP061203-01	REV N/C
DO NOT SCALE/PRINT REDUCED			SCALE 1=4