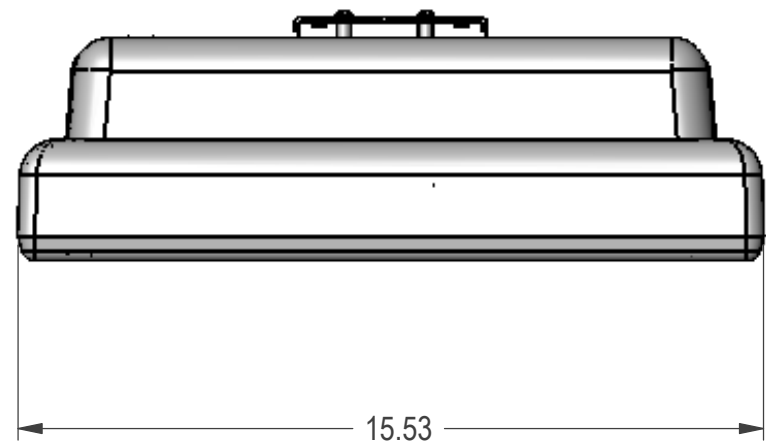
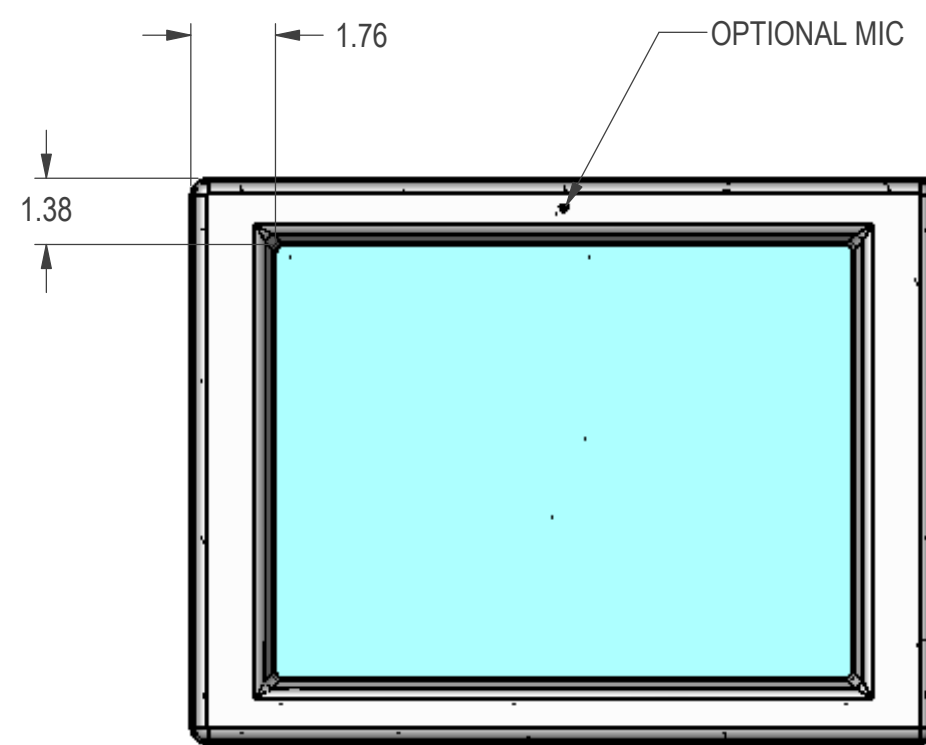


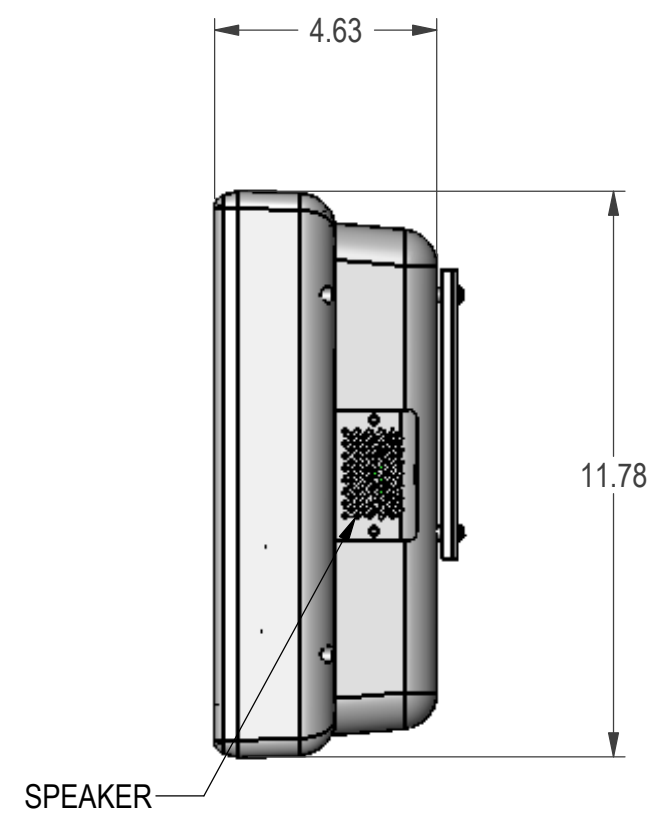
**15"
All-in-One**



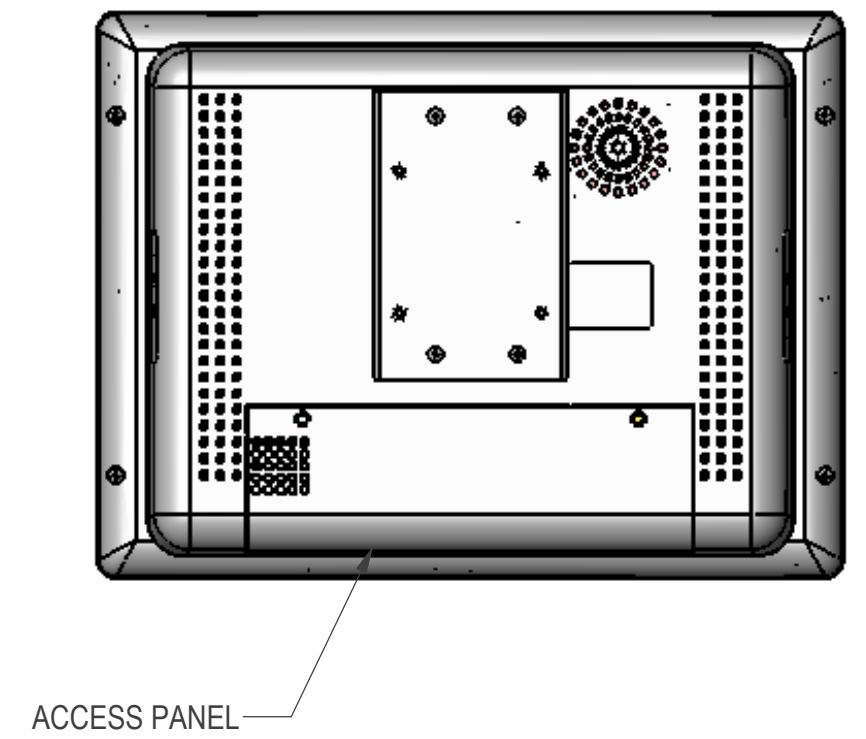
TOP



FRONT

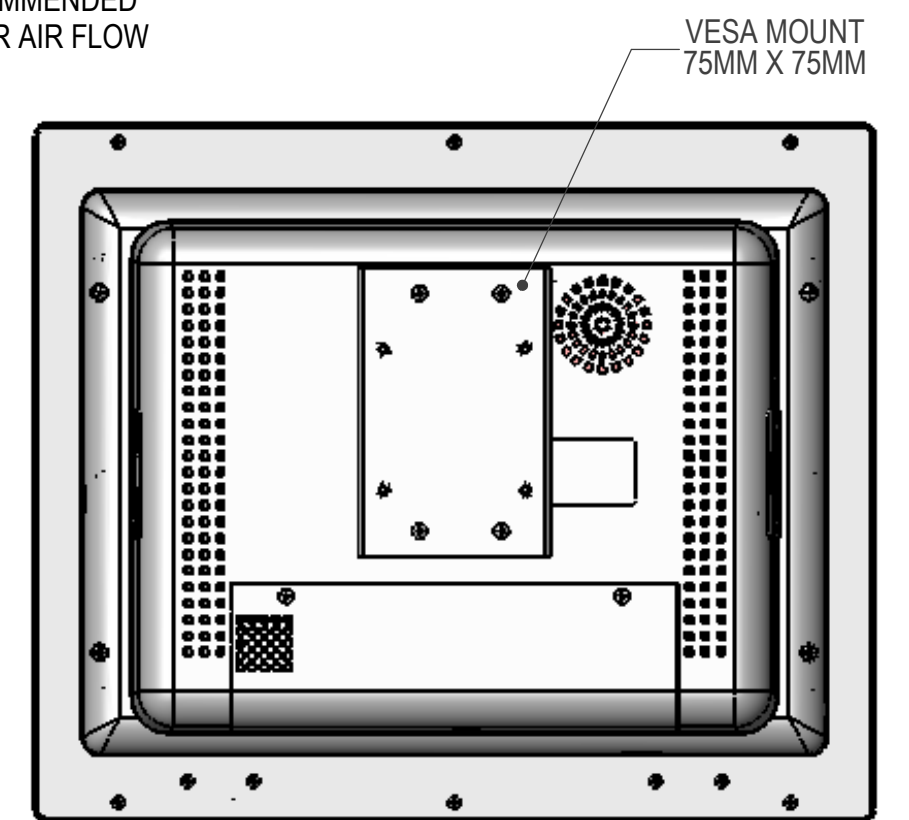
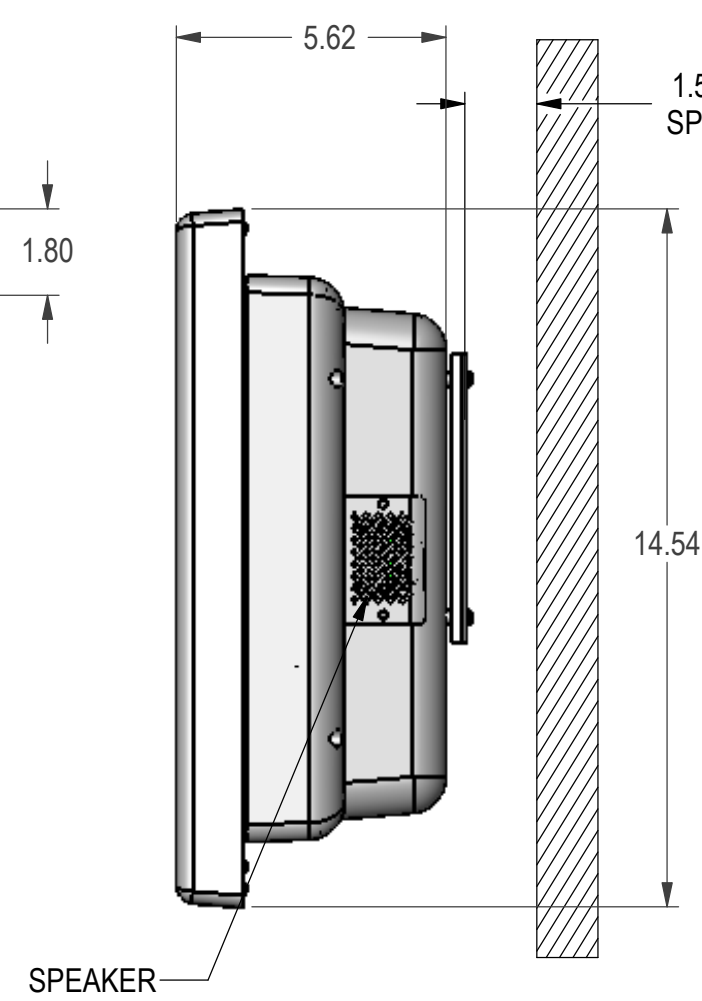
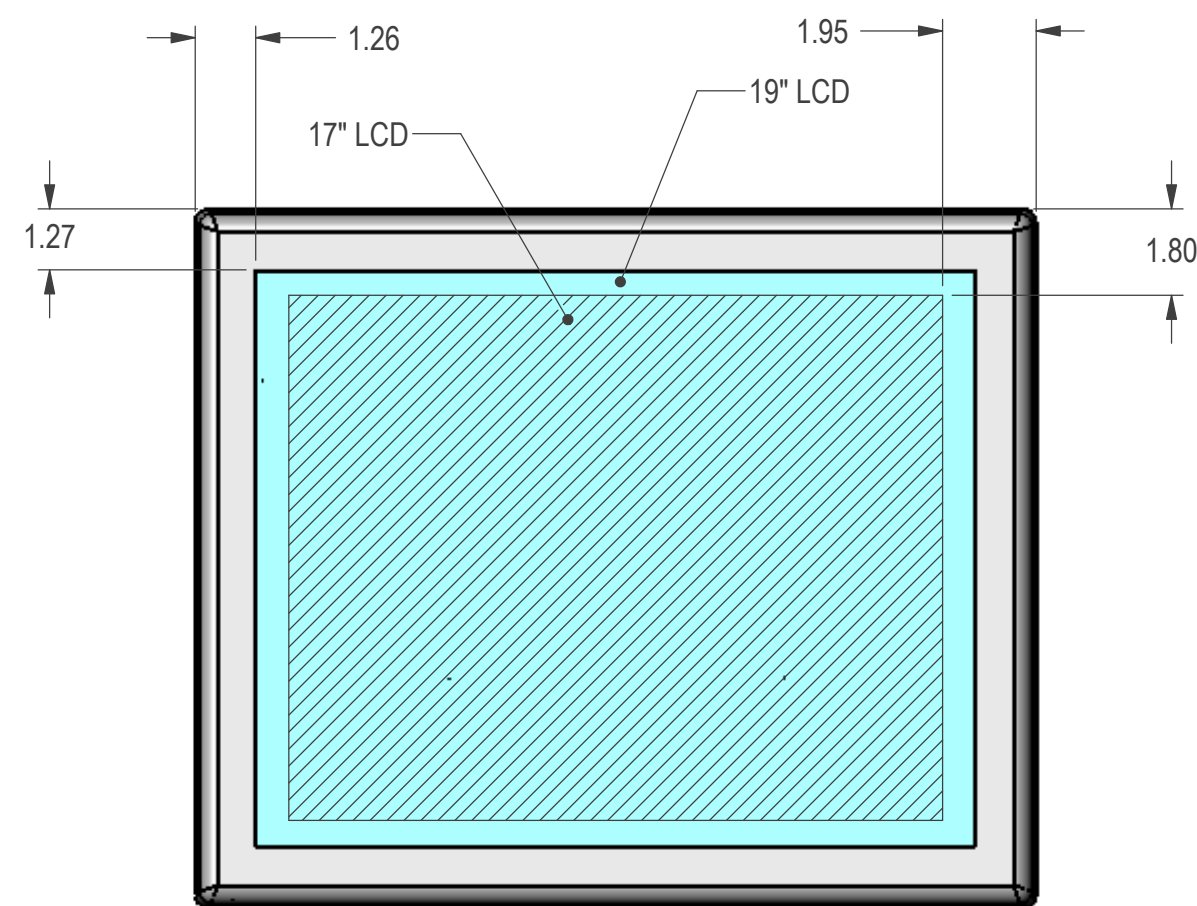
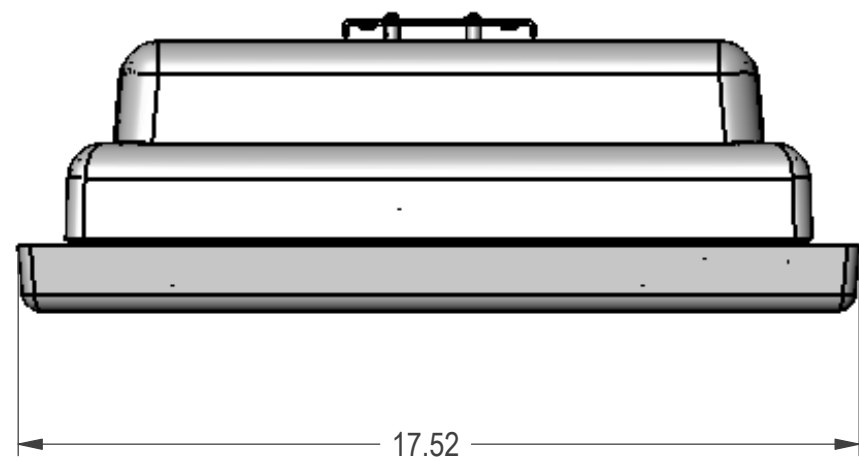


SIDE



BACK

**17"/19"
All-in-One**



| | | | |
|--|----------|---------|--------------|
| SeePoint™ Interactive Kiosk Systems SeePoint.com 888-587-1777 | | | |
| TITLE All-in-One | | | |
| SIZE C | PART NO. | DWG NO. | REV N/C |
| DO NOT SCALE/PRINT REDUCED | | | SCALE 1=4 |