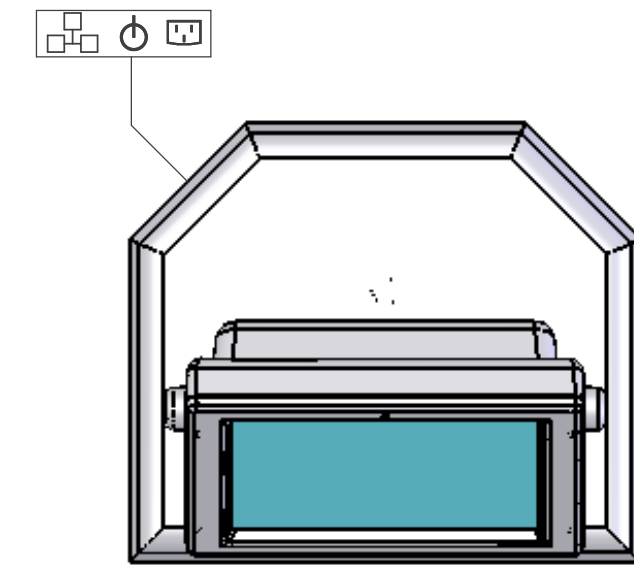
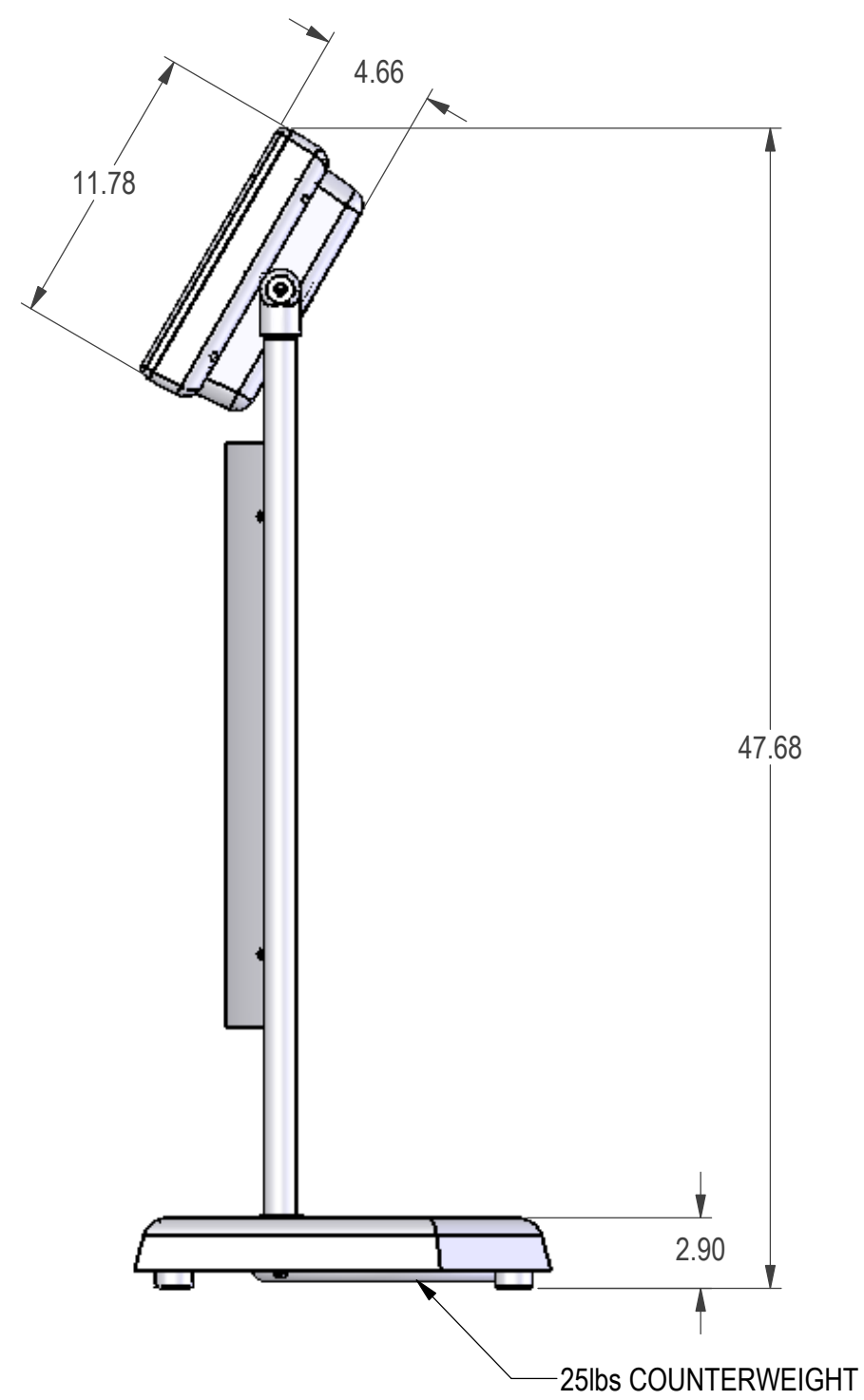
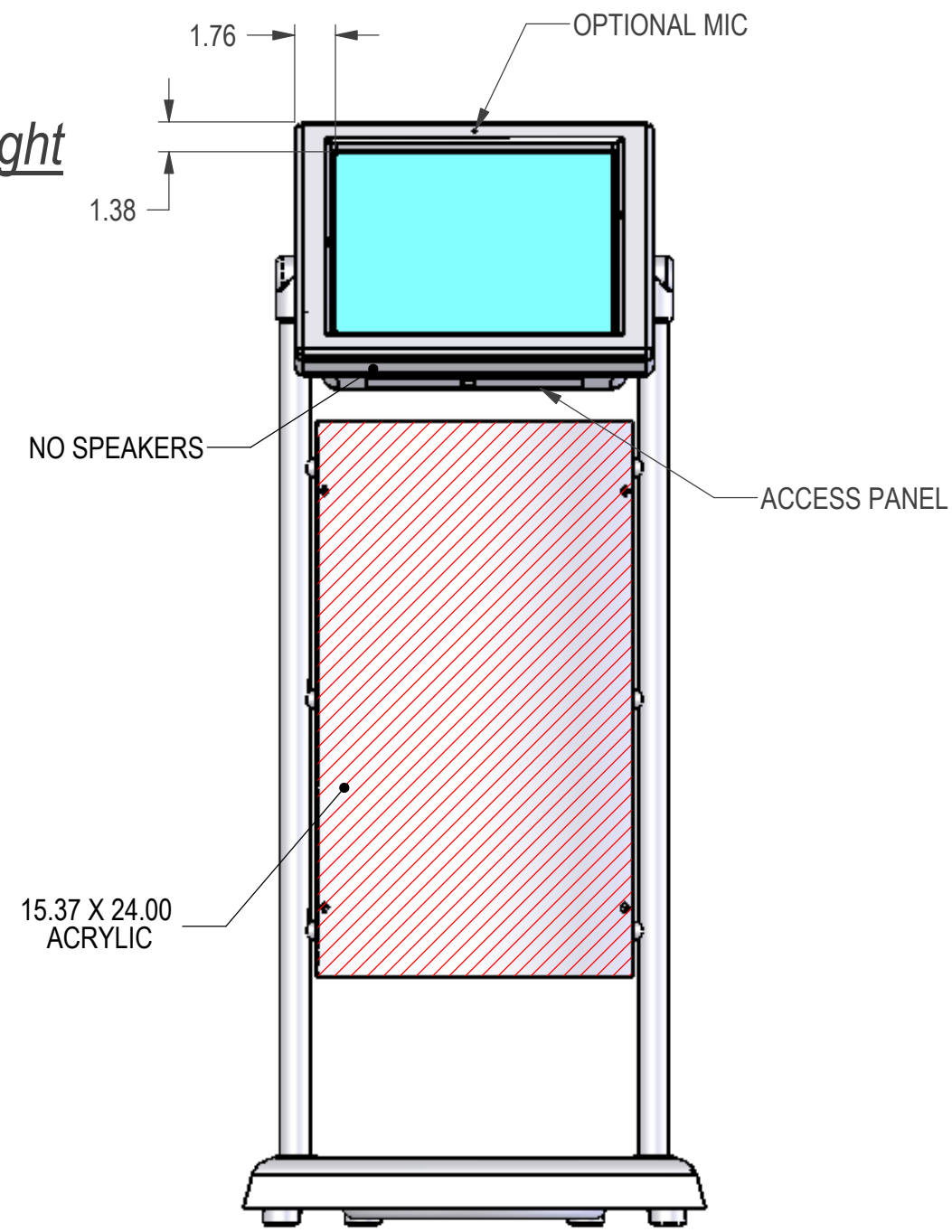
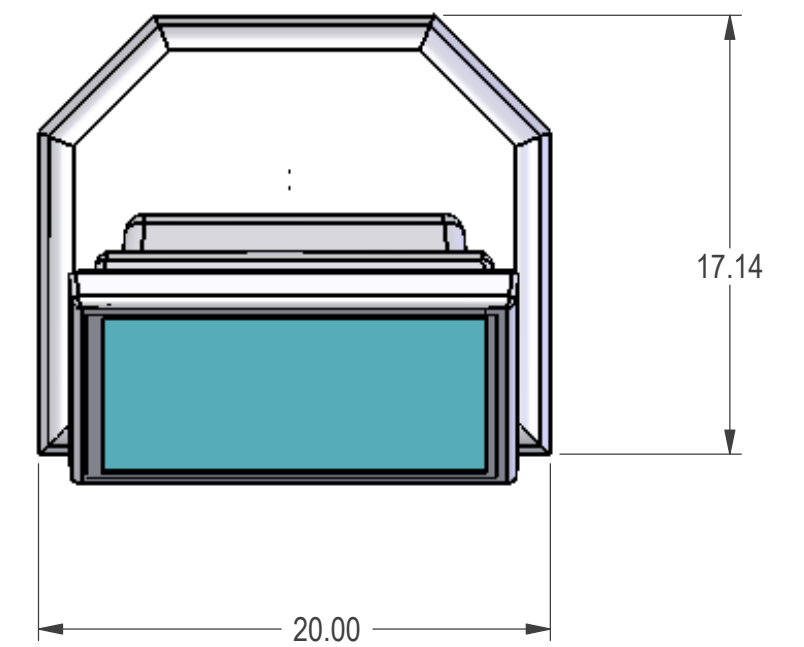
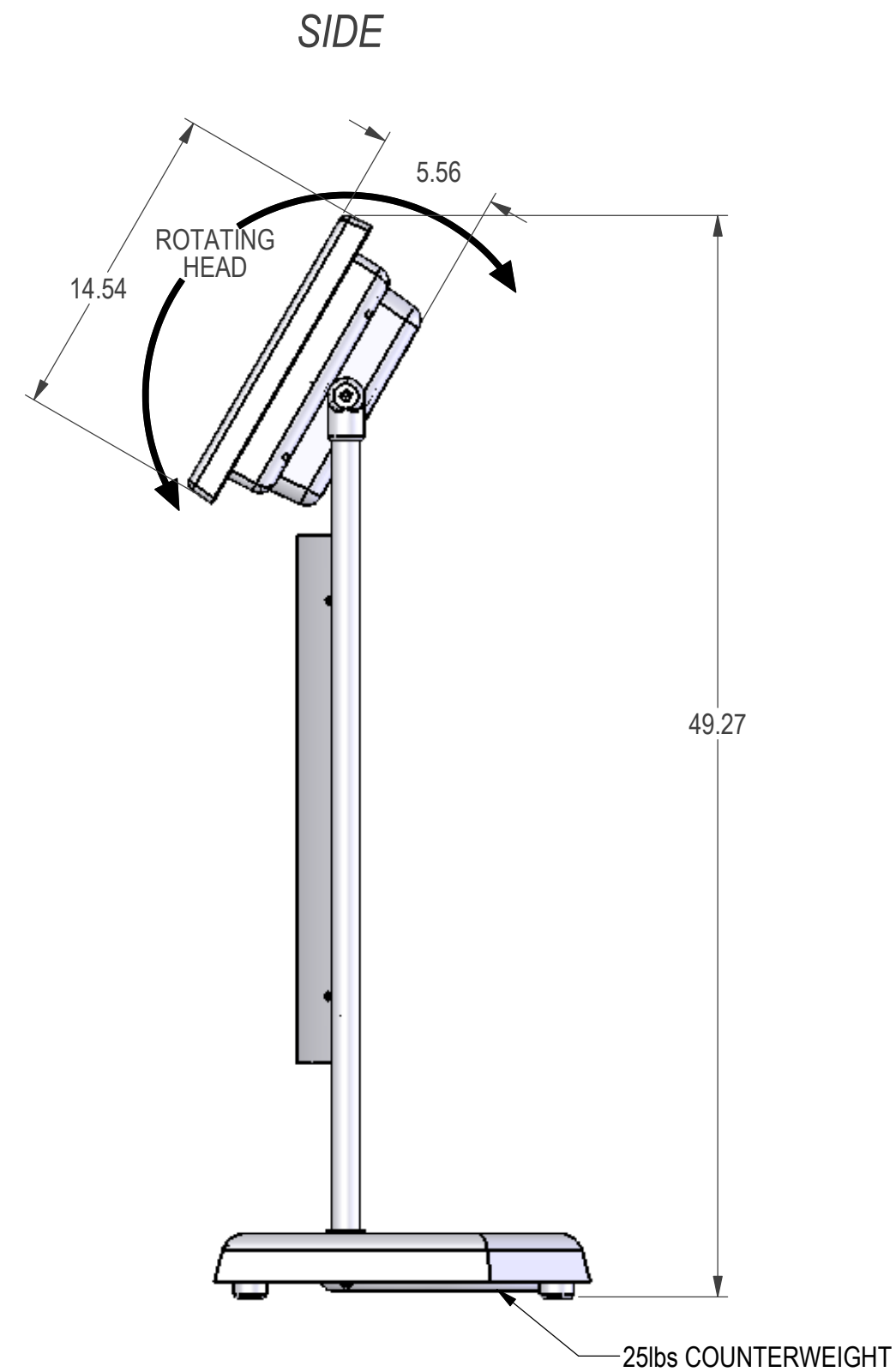
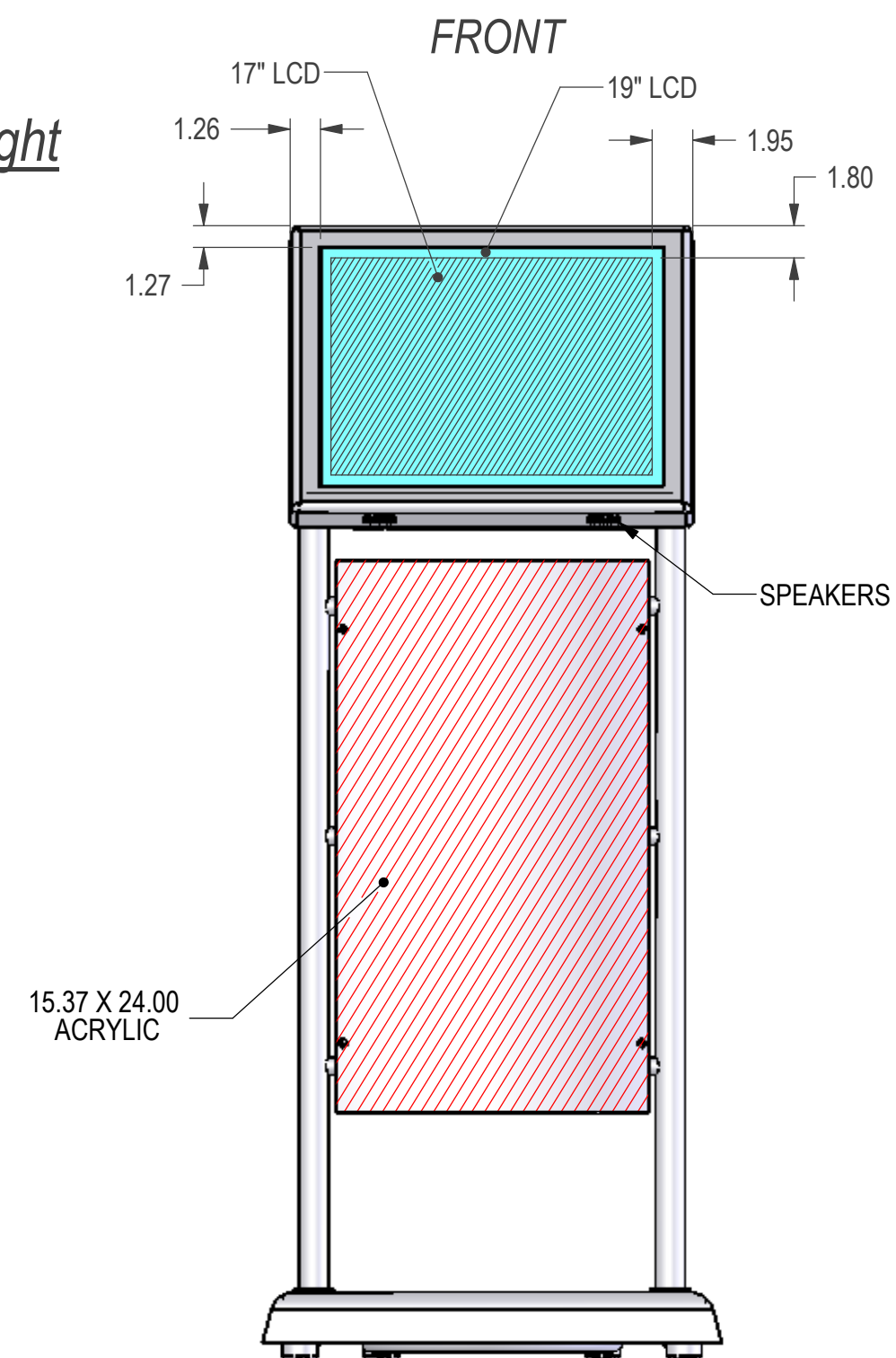


**15"
VantagePoint Light**



**17"/19"
VantagePoint Light**



SeePoint™
Interactive Kiosk Systems

SeePoint.com 888-587-1777

TITLE			
VantagePoint Light			
SIZE	PART NO.	DWG NO.	REV
C		SP061203-04	N/C
DO NOT SCALE/PRINT REDUCED			SCALE
			NONE