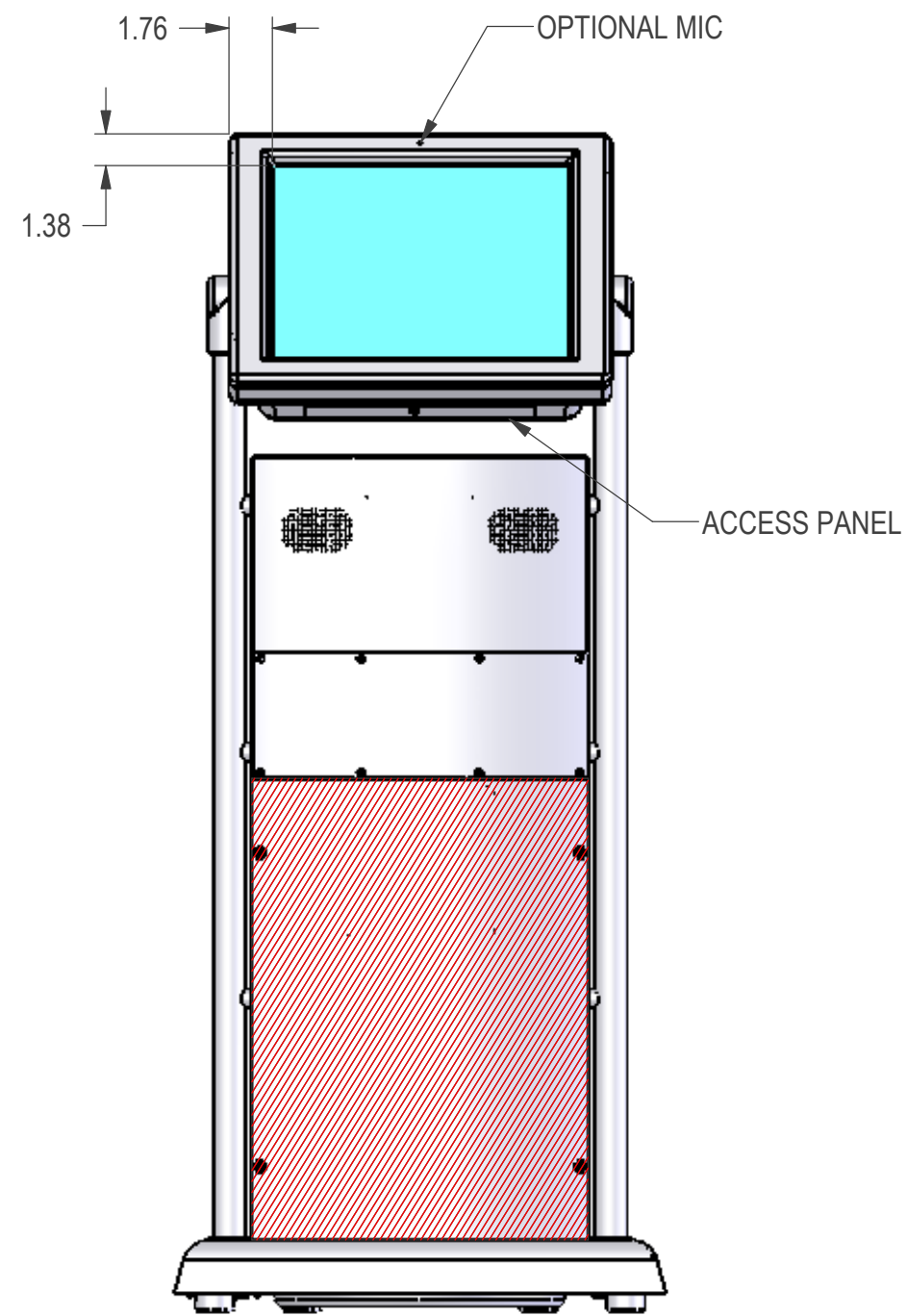
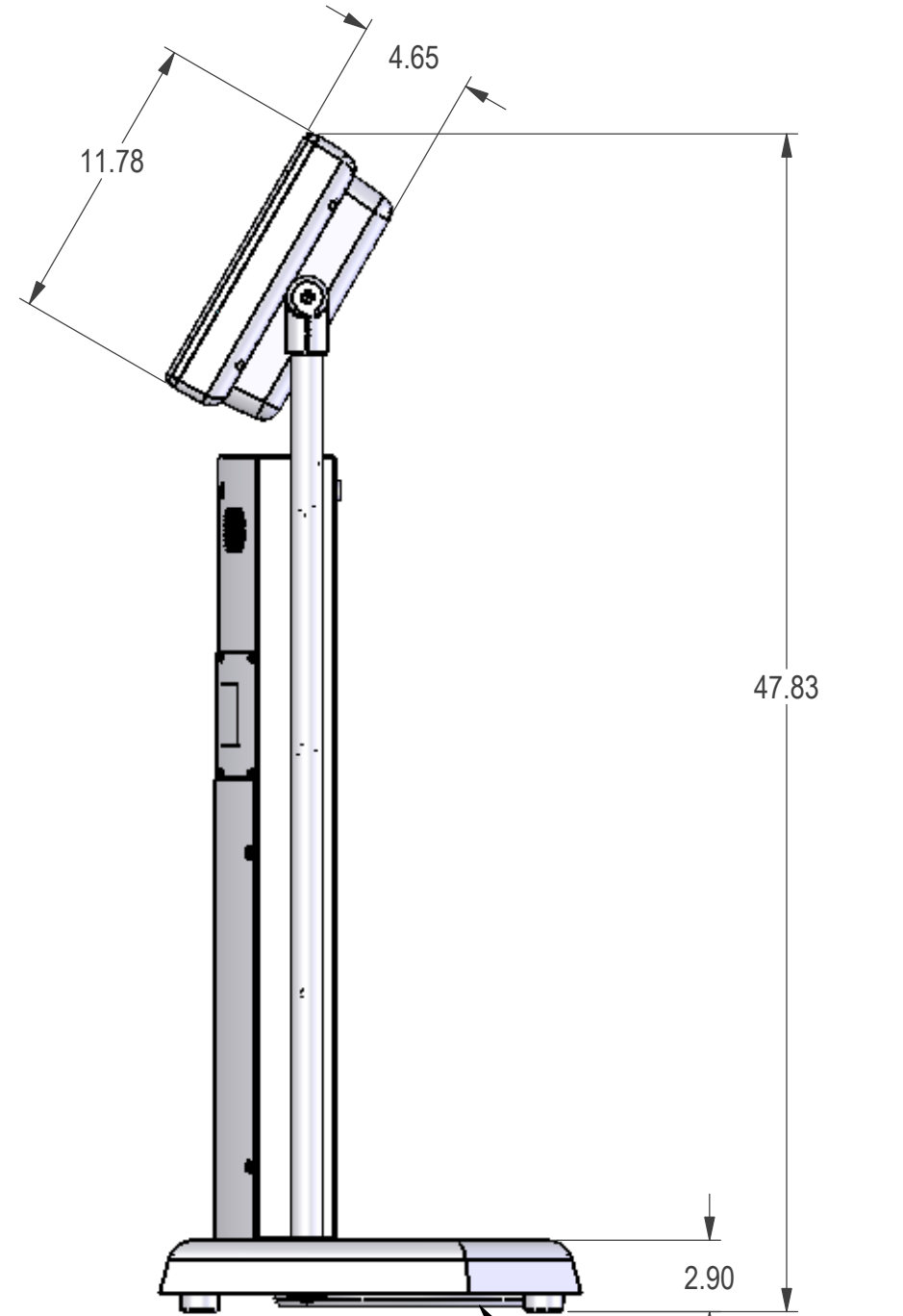


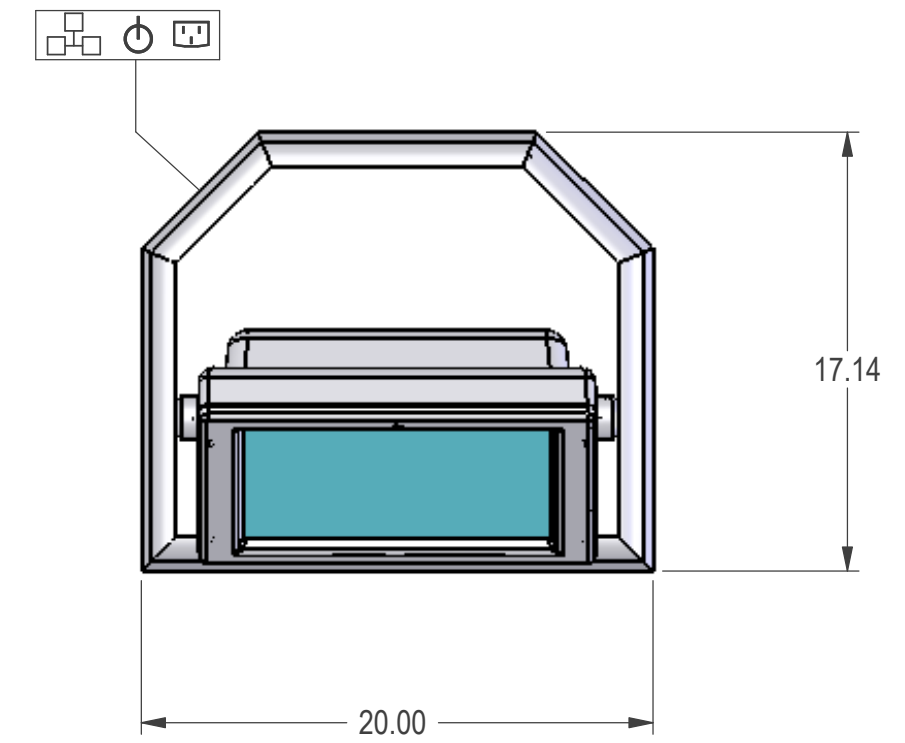
**15"
VantagePoint**



FRONT

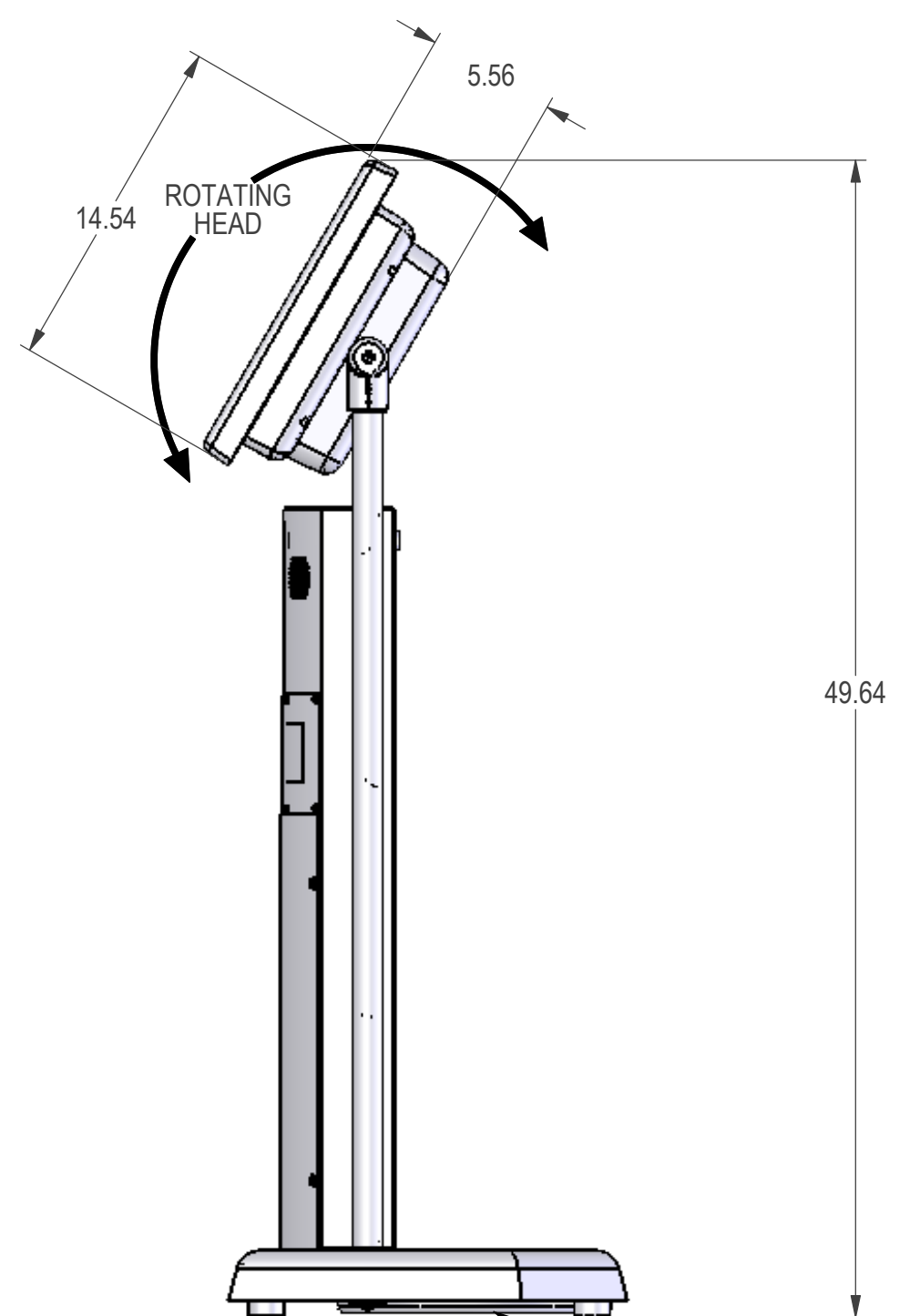
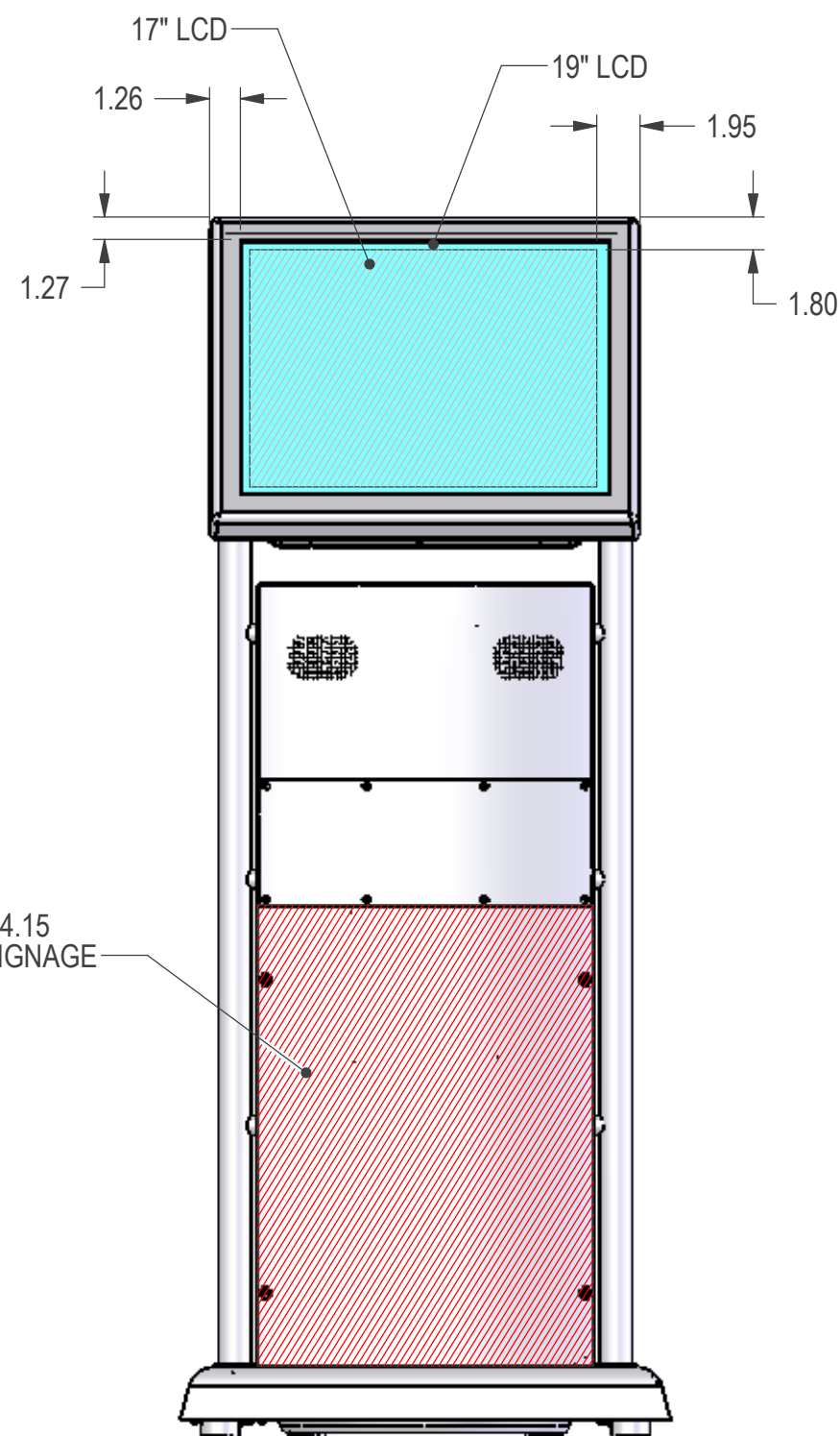


SIDE

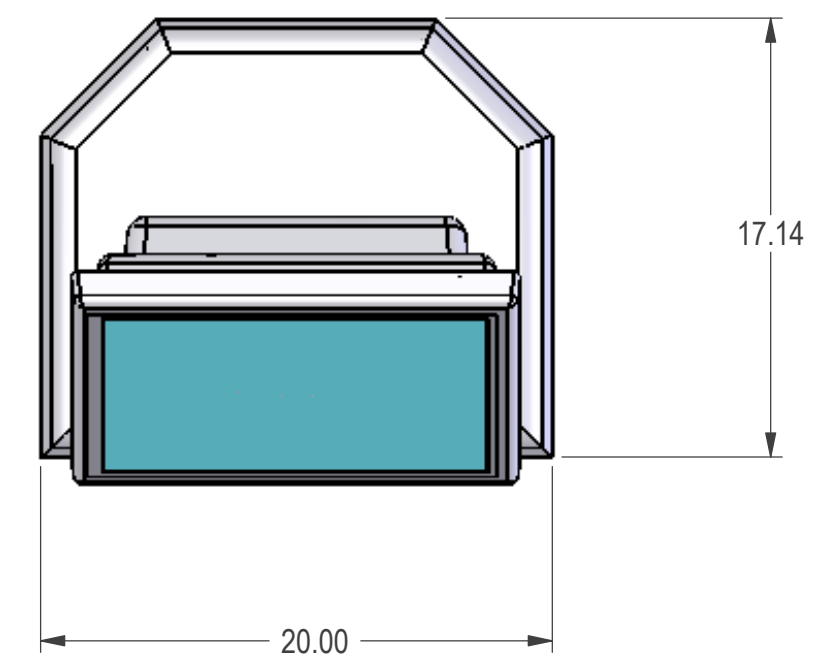


TOP

**17"/19"
VantagePoint**



25lbs COUNTERWEIGHT



SeePoint™ Interactive Kiosk Systems SeePoint.com 888-587-1777			
TITLE VantagePoint			
SIZE C	PART NO.	DWG NO. SP061203-05	REV N/C
DO NOT SCALE/PRINT REDUCED			SCALE NONE